



■ Vers. 272+291+274

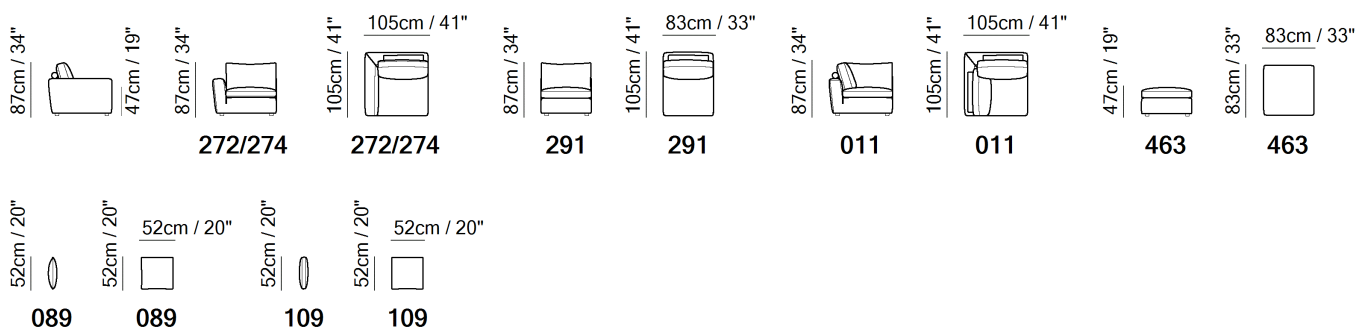


■ Vers. 463+291+011+274

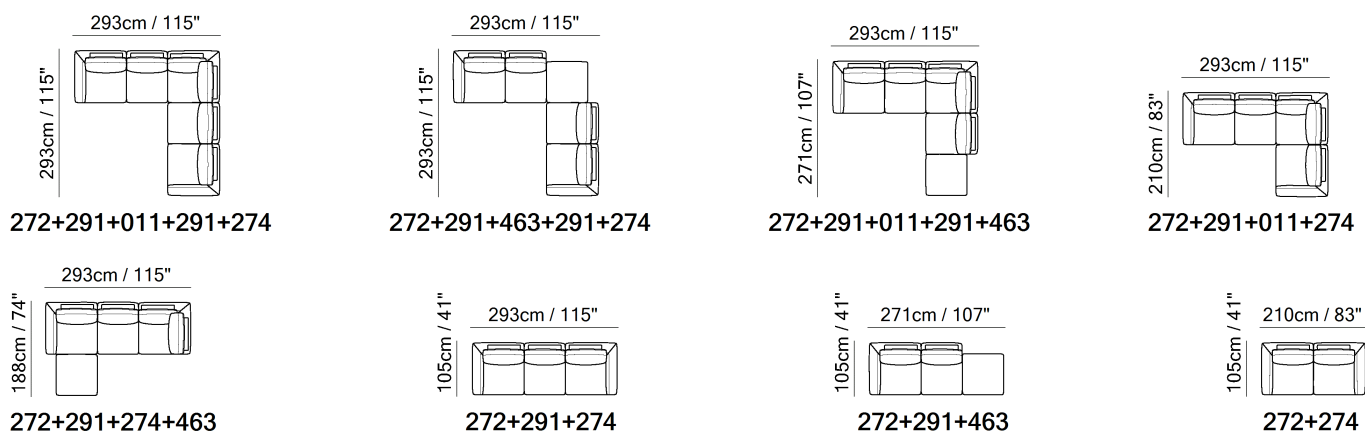


■ Vers. 272+291+011+274

ESQUEMAS



EJEMPLOS DE COMPOSICIÓN



INFORMACIÓN TÉCNICA

	REVESTIMIENTO	Piel <input checked="" type="checkbox"/>	Tejido <input checked="" type="checkbox"/>				
	PIE	Madera <input type="checkbox"/>	Metal <input type="checkbox"/>	Plástico <input type="checkbox"/>	Ruedas <input type="checkbox"/>	Tapizado <input type="checkbox"/>	
	LLENADO	Brazos <input type="checkbox"/>	Fibra <input type="checkbox"/> Espuma <input type="checkbox"/> Mix Pluma/Fibra <input type="checkbox"/> Pluma <input type="checkbox"/>	Cojin de asiento <input type="checkbox"/>	Fibra <input type="checkbox"/> Espuma <input type="checkbox"/> Mix Pluma/Fibra <input type="checkbox"/> Pluma <input type="checkbox"/>	Cojin de respaldo <input type="checkbox"/>	Fibra <input type="checkbox"/> Espuma <input type="checkbox"/> Mix Pluma/Fibra <input type="checkbox"/> Pluma <input type="checkbox"/>
	CONFORT	Standard <input checked="" type="checkbox"/>	Firme <input type="checkbox"/>				
	FUNCIÓN	Cama <input type="checkbox"/>	Mecanismo Eléctrico <input type="checkbox"/>	Mecanismo <input type="checkbox"/>	Recliner <input type="checkbox"/>	Corredizo <input type="checkbox"/>	
	OPCIONES	Costuras en contraste <input type="checkbox"/>	Desmontable <input type="checkbox"/>	Tachuelas <input type="checkbox"/>			
	ARRUGAS & APARIENCIA VISUAL	Bajo <input type="checkbox"/>	Medio <input checked="" type="checkbox"/>	Alto <input type="checkbox"/>			

ARRUGAS & APARIENCIA VISUAL

Ambas, en función de la elasticidad del revestimiento, la naturaleza de su trama interna y el confort visual del producto, el modelo puede mostrar diferentes grados de arruga.



Los modelos necesitan ser revestidos con unos criterios básicos de tal forma que ayuden a mantener su apariencia sin que la arruga llegue a apreciarse como un defecto en vez de como una característica natural del Producto.

NOTAS

- Design: Natuzzi Design Centre.
- --- Date of launch: 2023.
- --- Modular sofa with marked versatility. With just a few elements, it composes islands of comfort with an informal look while maintaining its rigorous expression given by its essential silhouette. Semplice satisfies every need for space and comfort. Easy to customize, few modules allow for endless configuration possibilities to suit your space. It's a modern marriage of versatility, perfect proportions and unmatched comfort.
- --- Loose cushions in two sizes (vers. 089/109) can be ordered in different coverings and colors. They can be used as lumbar support or as support next to the armrest or simply as decorative items.
- --- Seat and back cushions in high density poliurethane (35) have a layer of Climalight lining. The lining contains Microflock microfibre made of 100% recycled polyester from PET. Microflock is extremely soft and also regains its original shape after use.
- --- Back and seat cushions can be removed from frame.
- --- The back cushions have a roller that rests on the backrest in order to ensure greater support. It can be positioned according to anyone's height to find the desired ergonomics.

NOTAS

- --- Version 463 can be used as either an ottoman or corner without backrest as it is equipped with hooks.
- --- Under the seat there are elastic straps which guarantee the same comfort for every seat and more lasting support.
- --- Upholstered sofa sides with hidden and removable hooks
- Pies no montados (los pies están en un paquete dentro del embalaje)
- --- Anti-scratch and non-slip hidden feet.
- --- Feet height 4 cm.